

TACO Marine® Grand Slam Mounts

# GS-390 / 390XL Outrigger Mount

INSTALLATION INSTRUCTION GUIDE



# KIT CONTENTS

2

Grand Slam 390 mounts or  
*Grand Slam 390XL mounts*

8

Vinyl tubing spacers

8

5/16" x 18" x 1" bolts or  
*5/16" x 18" x 5" bolts*

8

5/16" x 18" hex nuts

8

Nylon washers &  
stainless washers

4

4mm Hex Bolts for Rotator  
Handle

## Required\*

\*not included

- POWER DRILL WITH 5/16" DRILL BIT
- 3/16" ALLEN WRENCH
- 1/2" CRESCENT WRENCH
- MARINE-GRADE SEALANT
- MARINE-GRADE GREASE OR ANTI-SEIZE
- STAINLESS LOCK NUTS & STAINLESS ACORNS (GS-390 XL ONLY)

**TACO**<sup>®</sup>  
**Handy Tips**

# GS-390/390XL

**Thank you** for purchasing the TACO Marine Grand Slam 390 or 390XL Outrigger Mount! As a family-owned and operated business since 1959, we take pride in offering the highest-quality, innovative products with excellent customer service. We stand behind our products 100 percent. If you have any questions about this mount or installation, please contact us by visiting [tacomarine.com/contactus](http://tacomarine.com/contactus).

## INSTALLATION

### CANVAS TOP

- It is very important that your mounting surface for the Grand Slam (i.e., T-top, Arch or Hardtop), be suitably constructed to provide a strong mounting area for your outrigger base. It is recommended to use TACO Marine's weld-on Grand Slam extrusions.
- These plates are pre-drilled and ready to install the Grand Slam. If you already have a plate, it should be at least 3/8" thick and 5" wide, with 3-4 welded seams to be used to accommodate the 6" length of the units' base from bow to stern.
- When installing the Grand Slam through canvas, simply cut an X over the 3-1/8" hole and trim the excess canvas. Install and bolt down the Grand Slam.

### HARDTOP

When installing through a hardtop, verify the top is foam or core filled. It is recommended to use included spacers (small lengths of tubing cut to size) to fit inside where the mounting bolts pass through to ensure that when the bolts are tightened the top is not compressed.

- 
- Backing plates are available for extra strength and recommended when mounting through a hardtop (part #BP150BSY-320-1).
  - When installing your Grand Slam, locate the center of the 3-1/8" hole at least 9-1/2" from the hardtop frame, vertical post, or any other object that might hinder the movement of the handle.
  - If the top has an arch to it, wedge plates can be ordered to keep the Grand Slams upright and straight (part #WP-150WHA-1).
  - The maximum thickness allowable for GS-390 mounting is 2" and for GS-390XL is 4-1/2".
  - The 390 and 390XL mounts are a pair of Port and Starboard units. When installing, the Pull pin to release the outrigger needs to face outboard for easy access.
  - When installing the handle, make sure it first goes through the larger hole (the one that is shaped like the opening of a doghouse). If reversed, the unit will fail to rotate.

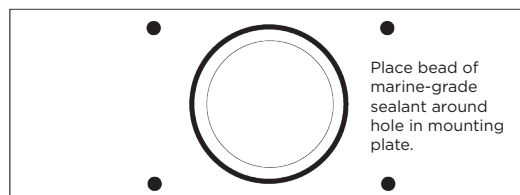
# INSTALLATION

## USING A SOLID PLATE

**Always use high-quality, stainless-steel hardware when mounting the base. Do not attempt to weld the base to any surface.**

1. Before drilling your bolt holes, cut out a 3-1/8" diameter center hole.
2. When you are finished drilling your 3-1/8" hole, set the base in the hole being careful not to scratch the anodized finish of the lower components, or to damage the white angle height position indicator. Use your outriggers to help align the base.
3. The supplied template is only a guide to help align base for true hole positioning. Make sure nothing is rubbing in the 3-1/8" hole. There should be a small gap all the way around.
4. When the Grand Slams are aligned, mark and drill out the bolt holes.
5. Bolts, washers and nuts are provided or if you purchase your own, always use good quality stainless steel hardware when mounting the base. Please do not attempt to weld the base to anything.
6. If using a backing plate, put a bead of marine-grade sealant on the underside of the flat plate. This prevents water drips.
7. Securely bolt the base to the mounting surface. Install rotation handle last. Insert handle from the larger open-ended slot, from stern-facing position. (The bottom part of the Grand Slam can be rotated to locate this hole.) Lubricate threads with marine-grade grease or anti-seize, making sure the handle is all the way in.
8. Screw the handle adapter to the mount using the 4mm Hex bolts. Place the outrigger in the arm and test. Pull down on the handle and move port to starboard. Release the handle, and it should go into locking detent positions. If the handle does not return up, push left or right until it slides into detent position.
9. Turn the crank handle to full up and down outrigger position to ensure the outrigger does not interfere with other top-mounted accessories.
10. The pull pin to lock the outriggers is spring loaded. Simply pull out the pull pin, rotate 1/4 turn and release. Place your outrigger into the arm and turn the pull pin to snap back into position. Then turn your outrigger until it clicks in the locked position with eyelets facing aft if you are mounting aluminum poles.

FIGURE 1



**NOTE:**

Always use a nylon 5/16" washer underneath any stainless-steel washer to prevent corrosion of the Grand Slams anodized aluminum mounting base.

# How to use

When fishing with the Grand Slam 390 or 390XL, easily raise and lower outrigger poles by turning the crank handle - either clockwise to lift or counterclockwise to lower. For going under bridges, trailering or storage, we recommend lowering the outriggers to ensure they don't get damaged. When the outriggers reach the desired lowered position, you can fold the crank handle flush into the base.

# How to clean

Always use a mild, non-abrasive soap and fresh water. Thoroughly wash the mounts with a soft towel or sponge to remove dried salt crystals and other contaminants. Rinse completely with fresh water.

## Safe Cleaners

---

**Mild dish washing liquid, specialty marine cleaners:**

Sea Safe Boat Wash, Boat Wash Concentrate and Super Suds.

**Safe marine lubricants:**

CRC Corrosion Inhibitor, Corrosion Block and Get Some Extreme.

## Harmful Cleaners

---

**Bleach (Clorox, etc.) and mild abrasive cleaners:**

Ajax, Comet, Soft Scrub, Rubbing Compounds, etc.

**Strong cleaners:**

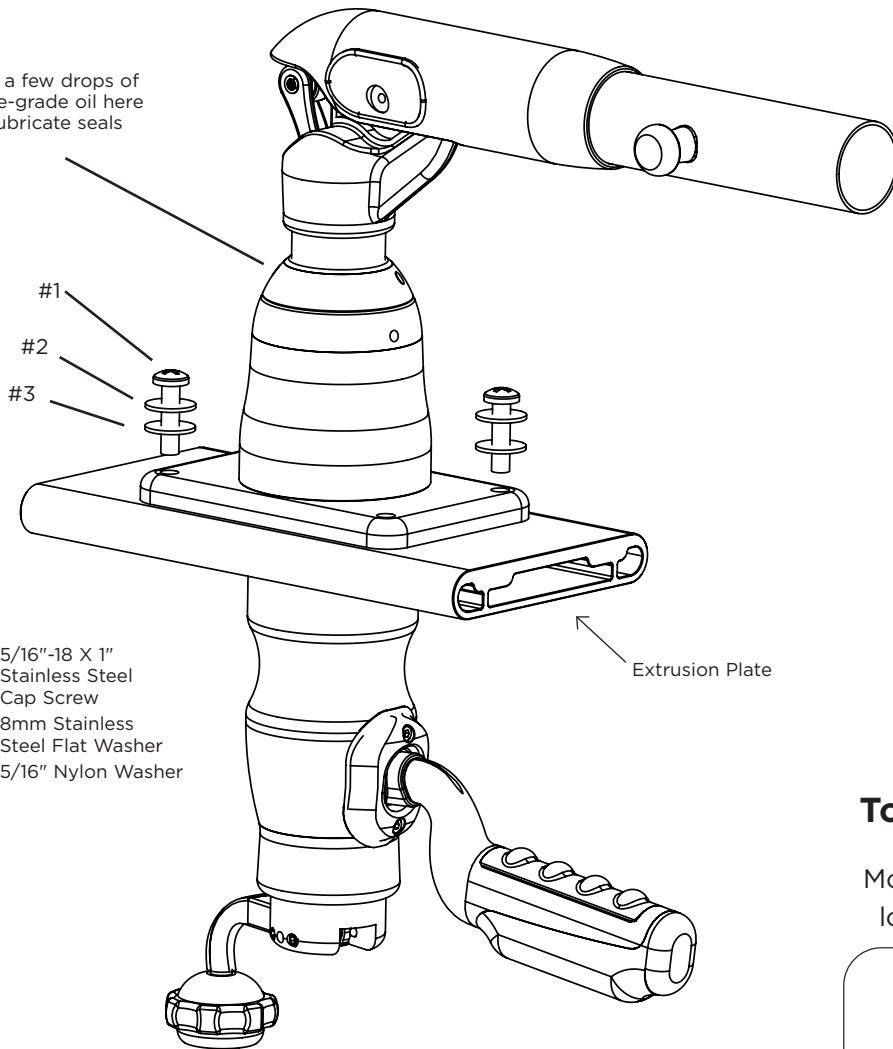
409, Engine Degreasers, etc.

**Acids of any type:**

Such as Muriatic, naval jelly or aluminum acid.

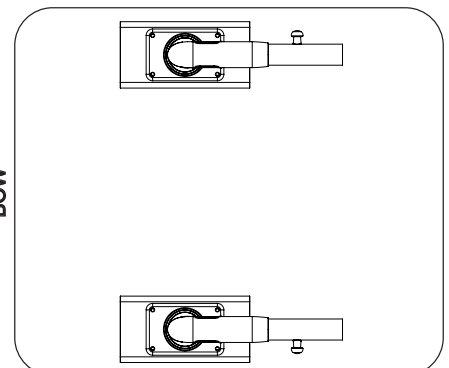
# TECHNICAL SPECS

Place a few drops of marine-grade oil here to lubricate seals



## Top Mount Orientation

Mount orientation on top with locking pin facing outboard



**NOTE:** When not in use, lower and collapse the outrigger poles.

# Need Support?

## Contact Us



1.800.653.8568



support@tacomarine.com



tacomarine.com



50 NE 179th ST  
Miami, FL. 33162



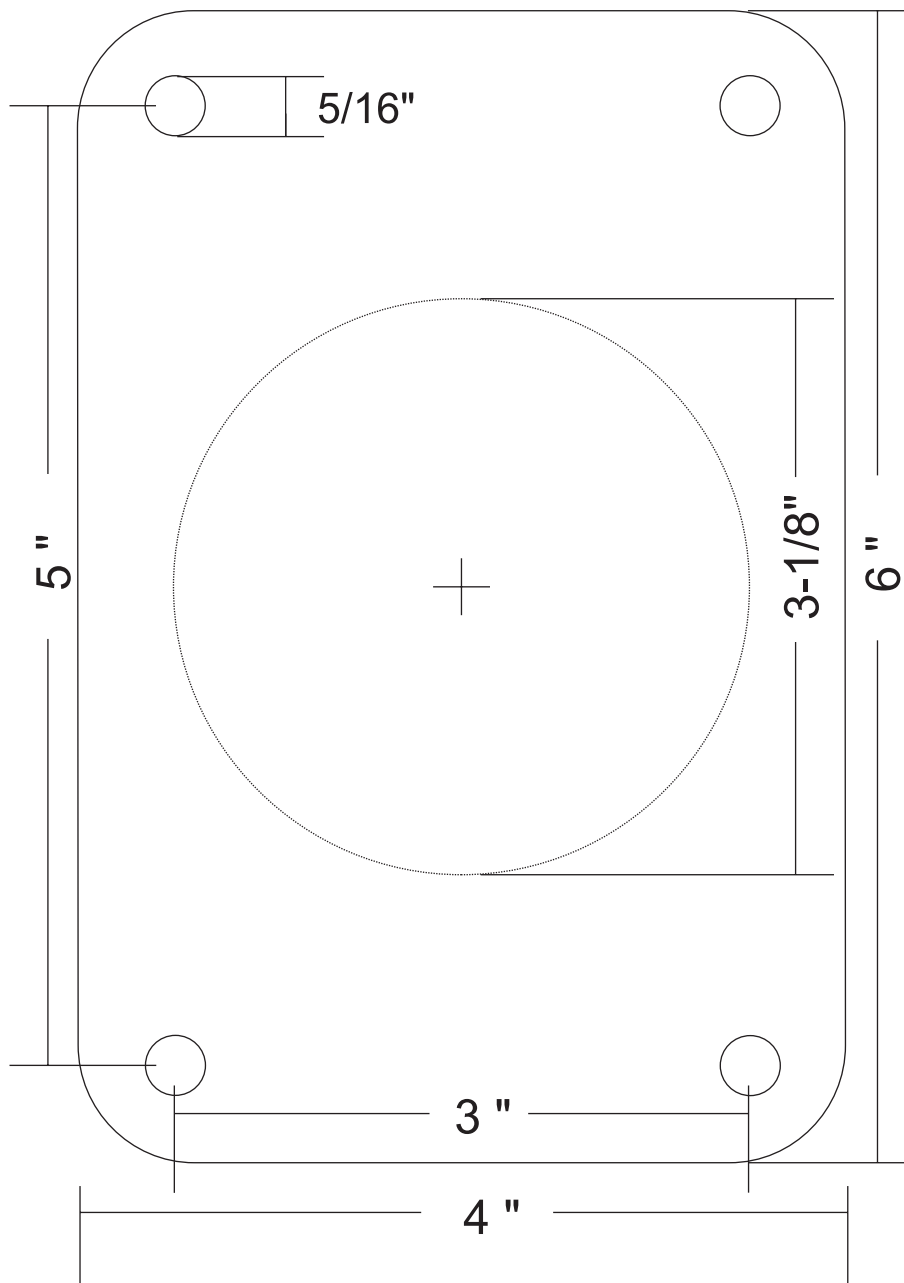
@tacomarine



@taco\_marine

# TACO Marine®

# GS-390/390XL Drill Template



Please print at 100 percent for accurate sizing. Slight scaling may still occur. Therefore, before drilling, it is recommended that all template dimensions be measured for accuracy.